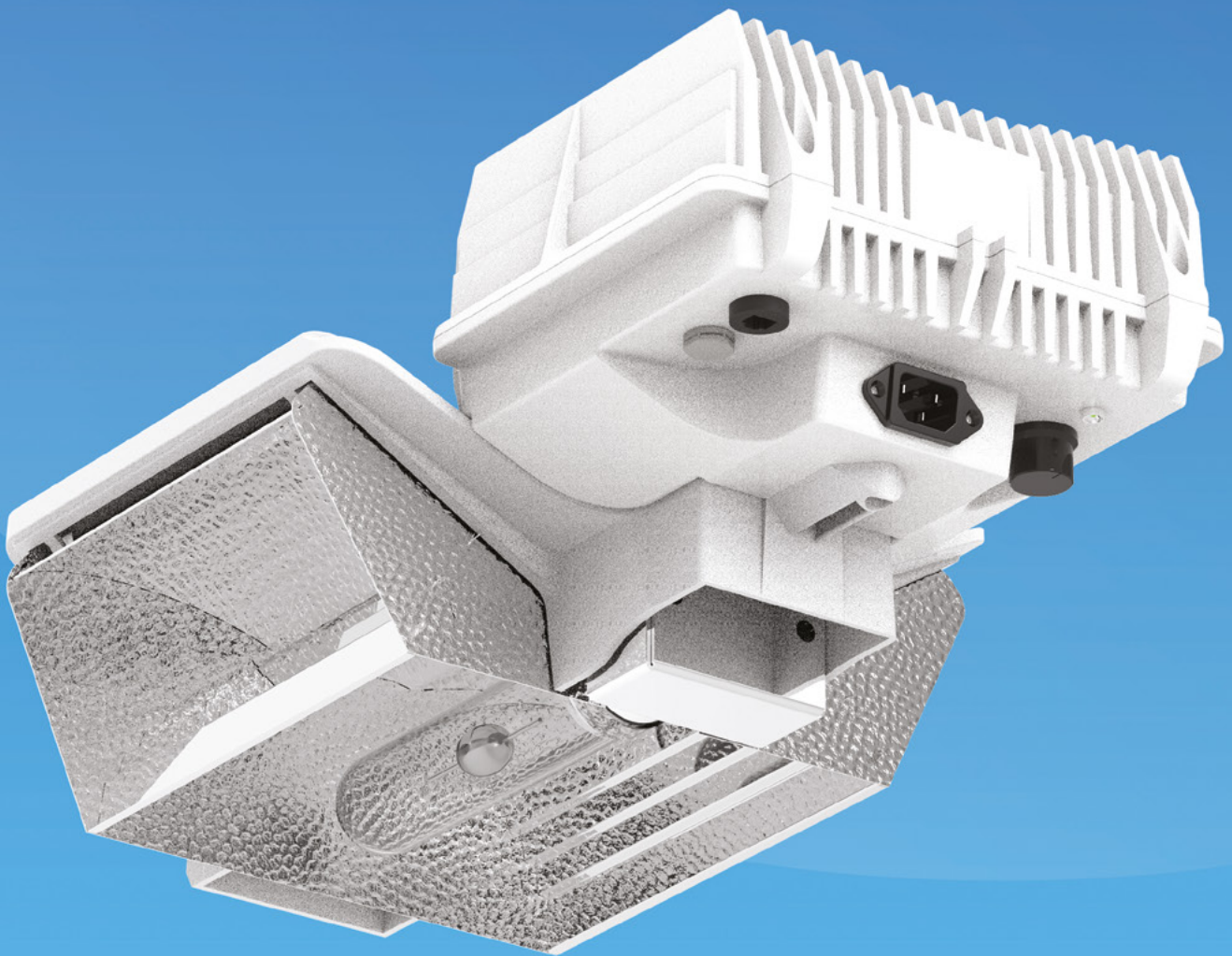




DLI CRI-Series 315W Instruction Manual



! READ THESE INSTRUCTIONS CAREFULLY BEFORE FIRST INSTALLATION

Introduction

Thank you for buying the DLI CRI-Series 315W CMH fixture, the most efficient - and compact CMH fixture available in the market. The DLI fixture is made with high quality components to assure a long life and a safe operation.

For a correct installation, it is important to read the Instruction manual carefully before you start with the installation of the fixture(s).

Product Description

The DLI CRI-Series 315W DE fixture is made to grow plants. The output of the DLI CRI-Series 315W CMH fixture can not be adjusted. It can only be set to on/off and to the controller setting. By using the DLM-4 Zone Controller the fixture can be remotely switched and adjusted.

For more info about the DLM 4-Zone Controller please check our web site www.dutchlightinginnovations.com and see the advantages of this unique controller. Because of the use of a flat housing, the DLI fixtures can be mounted almost straight to the ceiling with the special available mounting solutions.

Technical specifications:

Input Voltage:	120 ~ 240V	277 ~ 347V
Input Voltage Range:	± 10%	± 10%
Rated Power:	340W	340W
Dimming with controller:	ON-OFF	ON-OFF
Frequency:	50/60 Hz	50/60 Hz
Typical Current:	1.4A @ 240V	1.0A @ 347V
Maximum Current:	3.2A @ 110V	1.3A @ 277V
Inrush Current:	≤ 40A	≤ 40Av
Power Factor:	≥ 0.98	≥ 0.98
Dimensions:	430 x 294 x 181mm	430 x 294 x 181mm
	16.9 x 11.6 x 7.1 inch	16.9 x 11.6 x 7.1 inch
Weight:	4.8 kg / 10.6 lbs	4.8 kg / 10.6 lbs

Warnings

- **Make sure the power is switched off before handling the DLI 315W CMH fixtures.**
- Make sure the power cables are connected properly.
- There are no serviceable parts inside the DLI 315W CMH housing. **Do not open** the housing of the ballast and **do not** rewire, repair or reconfigure any component of the fixture. This can cause serious injury or death.
- The DLI 315W fixture is developed for growing plants in indoor locations. **Do not** use these fixtures in a wet environment or outdoors. The temperature in the rooms in which the fixtures are used should not exceed a temperature of 104°F or 40°C and a relative humidity of 70%.
- **Do not** use the DLI 315W fixture in the proximity of dangerous or combustible materials.
- Make sure that the power cord does not touch any hot parts of the fixture.
- After the lamp is switched off, wait at least 15 minutes before restarting the lamp.
- **Do not** plug or unplug a lampcord or cable while the fixture is in operation.
- **Do not** make contact to the lampholders/socket while the power is switched on.
- **Do not** plug the fixture into a supply voltage other than instructed on the housing of the fixture/ballast.
- This fixture operates at very high temperatures. Please keep away from children and pets. **Do not** hang it too close to your plants, because you will burn them.
- Never use the fixture without reflector and lamp.



! CAUTION - RISK OF FIRE: THIS PRODUCT MUST BE INSTALLED IN ACCORDANCE WITH THE APPLICABLE INSTALLATION CODE BY A PERSON FAMILIAR WITH THE CONSTRUCTION AND OPERATION OF THE PRODUCT AND THE HAZARDS INVOLVED.

! ATTENTION – RISQUE D’INCENDIE: CE PRODUIT DOIT ÊTRE INSTALLÉ SELON LE CODE D’INSTALLATION PERTINENT, PAR UNE PERSONNE QUI CONNAÎT BIEN LE PRODUIT ET SON FONCTIONNEMENT AINSI QUE LES RISQUES INHÉRENTS.

Preparing the fixture for first installation

- Carefully take the fixture out of the packaging.
- Check whether the reflector is fitted correctly.
- Check whether the lamp is fitted correctly into the lampholder.
- Make sure the dimming button is set to 315W.
- Fix the two eyebolts onto the fixture. One on the front end of the fixture. The other on the back end of the ballast housing. These eyebolts can be used for mounting the fixture.
- If you are using the fixtures in combination with the DLM-4 Zone controller, then please read the instructions of the controller now first.
- Connect the power cable to the IEC connector on the back end of the fixture.
- Make sure the mains is switched off before connecting to the mains. Once you've properly connected the fixture to the mains it's safe to switch the power on.

Installation and replacement of the lamp

The DLI 315W fixtures are used in combination with DLI 315W CMH lamps.

The use of other types of lamps will damage the fixture. The 315W CMH lamps that are supplied with the DLI 315W fixtures should be handled with thin gloves or a dry cloth. Avoid fingerprints on the lamps, the grease/dirt of your fingers will burn into the glass.

***The lamps can be cleaned by using DLI BrightShine Wipes. Do not use detergent!**

It is important that the lamp is fitted correctly in the fixture. **The lamp will not ignite when the lamp is not placed correctly into the lampholder.**

! ALWAYS MAKE SURE THE POWER IS SWITCHED OFF BEFORE HANDLING THE DLI 315W FIXTURES.

- The lamp should only be replaced by an electrical technician or by the fixture supplier.
- Disconnect the mains first. **Wait at least 30 minutes before replacing or touching the lamp. The lamp can be very hot!**
- The lamp should not be replaced without disconnecting the mains.



! THE LEGS OF THE LAMP ARE DIFFERENT. MAKE SURE TO INSERT THE LAMP CORRECTLY AS SHOWN IN THE IMAGE.

Lamp Positioning

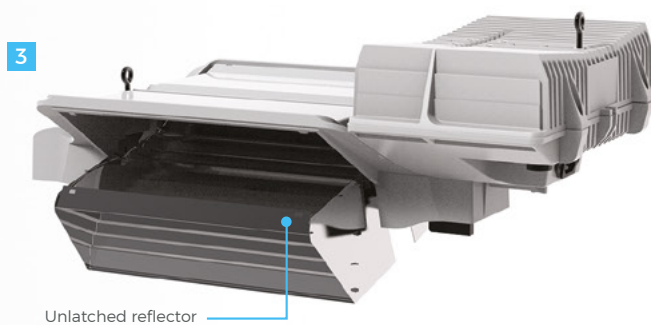


The Reflector

To replace the reflector, make sure the lamp and reflector are cooled down. Remove the lamp first. The reflector is held by 4 holding pins on the sides of the reflector cover (image 1).



The reflector can be taken out by carefully unlatching the top of the reflector from the holding pins in the reflector cover (image 2 and 3).



Usage of the dim switch button

The fixture can be switched on and switched off by the dim switch on the bottom of the fixture.

Usage of the controller

The dim-switch can also be set to controller. This should be done when the DLI 315W fixture is connected to the DLI Controller. Please read the instructions of the DLI Controller first before connecting the fixtures to the DLI Controller.

LED indicator

DLI fixtures come with a LED indicator: See below for blinking sequence info.

Status (action)	Blink Code
LED off, no blinking (Normal operation - no action required)	● ● ● ● ● ● ● ●
LED continuously blinks (No lamp detected or defect/broken lamp - Replace lamp and reset fixture) <i>NOTE: This sequence only occurs in the first 20-minute lamp strike up period</i>	● ● ● ● ● ● ● ●
LED blinks 1 time (Defect or broken lamp - Replace lamp and reset fixture) <i>NOTE: This sequence will occur after the 20-minute lamp strike up period</i>	● ● ● ● ● ● ● ●
LED blinks 2 times (Fixture is connected to DLM controller and in standby mode, no action required)	● ● ● ● ● ● ● ●
LED blinks 3 times (Mains voltage too low, check voltage)	● ● ● ● ● ● ● ●
LED blinks 4 times (Ambient temperature too high)	● ● ● ● ● ● ● ●
LED blinks 5 times (End of lamp life, replace lamp and reset fixture)	● ● ● ● ● ● ● ●
LED blinks 6 times (Mains voltage too high, check voltage)	● ● ● ● ● ● ● ●

Hanging distance

You need at least 3 foot or 90 cm distance between the fixture and the plants. To check the height, place your hand (palm down) over the plants. If your hand got too warm, you need to move the lamp higher because than it is also too hot for your plants and you will burn them.

Warranty

Dutch Lighting Innovation only uses high quality components. Under normal operating conditions, the mechanical and electronic components are covered by a three-year warranty from the original date of purchase. For service return the fixture in the original packaging to your shop with the original sales receipt.

Components that are excluded from warranty are components that have failed due to abnormal usage.

In the case of defects of the DLI CRI-Series 315W CMH fixture, the fixture will either be replaced or repaired using new or reconditioned products or parts. If the fixture will be replaced this limited warranty shall apply to the replacement product for the remaining initial warranty period, i.e. (three) 3 years from the date of purchase of the original product.

The 315W CMH lamps are covered by a one year warranty from the original date of purchase. Lamps broken due to abnormal usage or thermos shock are excluded from warranty .

Returns

The fixture needs to be returned in the original packaging without the bulb in order to avoid damages of the product during transport.