

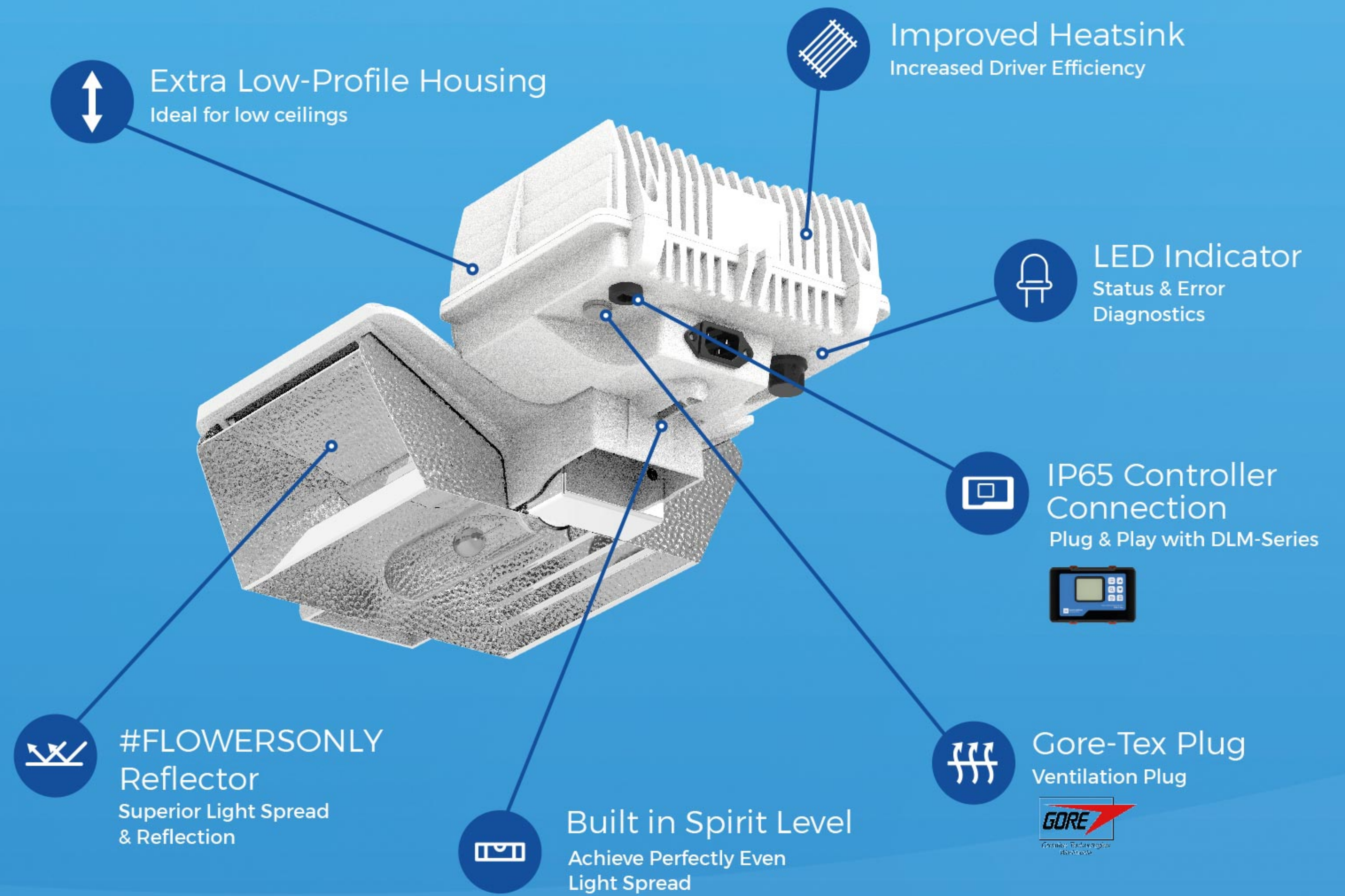


# DLI CRI-Series 315W CMH 120/240V Fixture



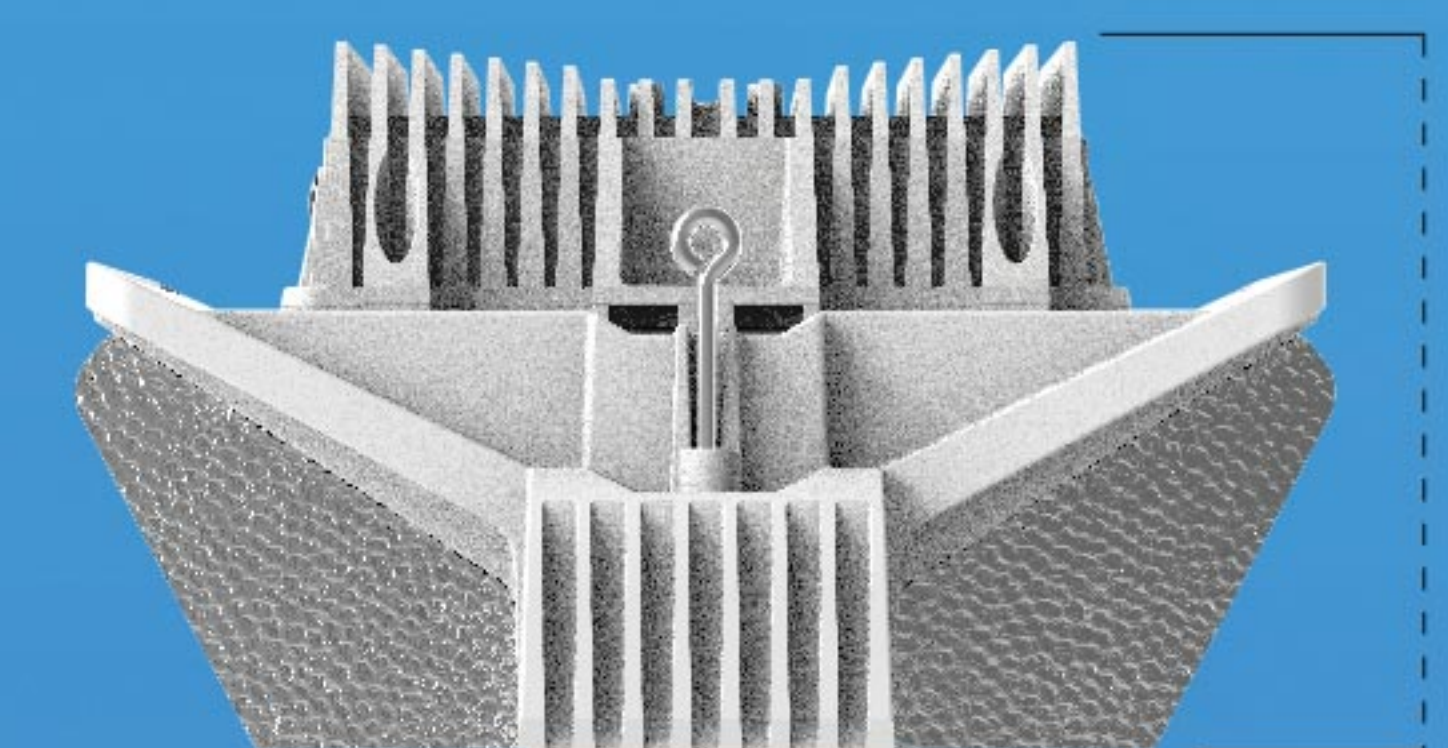
DLI's mission is to always create a fixture that surpasses the performance of the competitors whilst improving the design to suit the purpose. Dutch Lighting Innovations presents the CRI-Series 315W CMH Fixture. This proprietary engineered design has reset the bar for indoor production.

The #FLOWERSONLY Reflector is manufactured to have the highest possible total reflectance at all wavelengths giving excellent PAR rendition. Efficiency and uniformity are the main focus in the design of the #FLOWERSONLY Reflector. The unique design and the high uniformity of light results in less hotspots on the canopy and a more even plant growth. The DLI CRI-Series are Plug & Play with the DLM-4 Zone Controller. A RJ12 Connection Kit is included with each fixture.

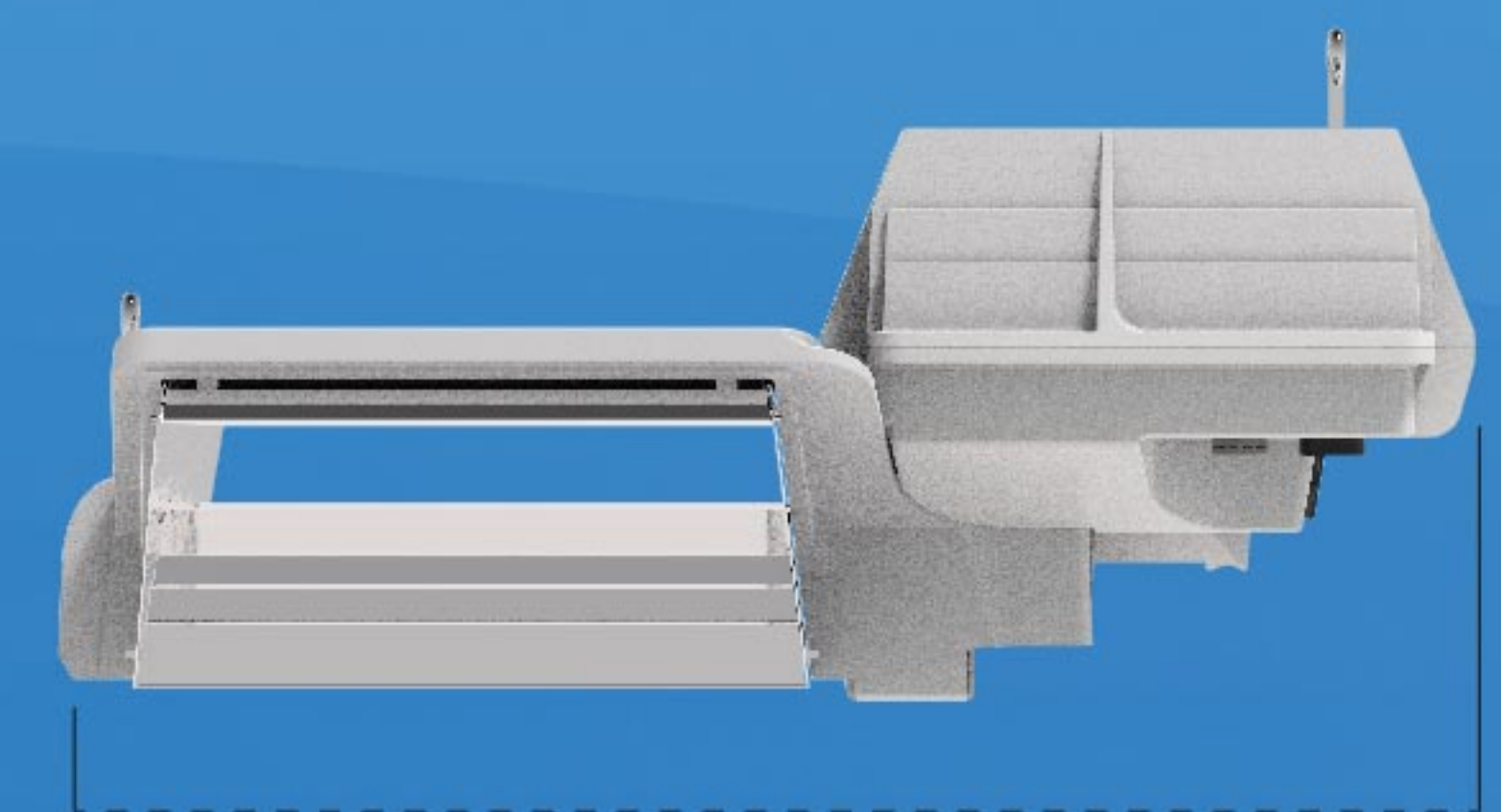


## Technical Specifications

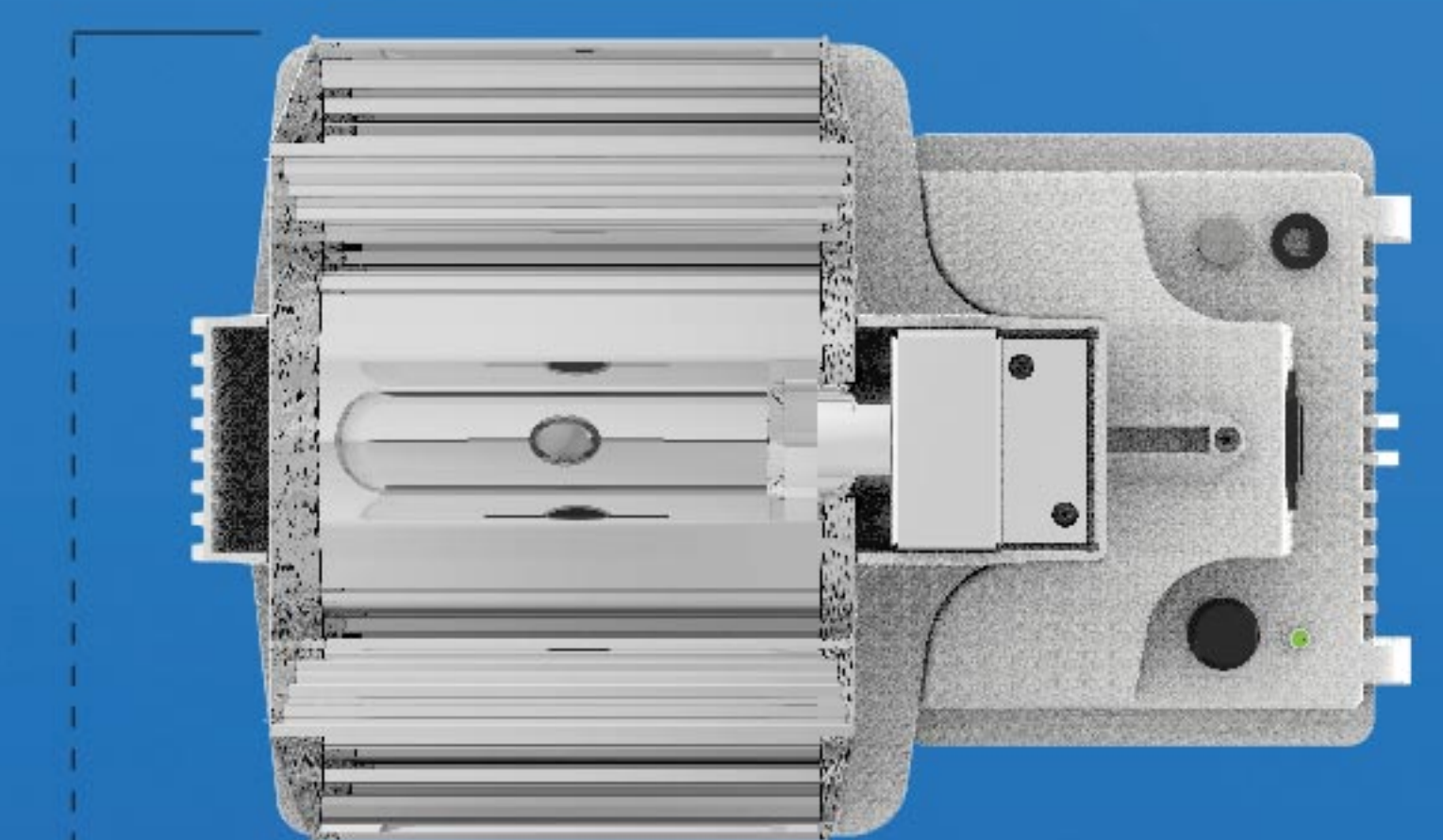
INPUT VOLTAGE:	120 - 240V	277 - 347V
INPUT VOLTAGE RANGE:	± 10%	± 10%
RATED POWER:	340W	340W
DIMMING WITH CONTROLLER:	ON-OFF	ON-OFF
FREQUENCY:	50/60 HZ	50/60 HZ
TYPICAL CURRENT:	1.4A@240V	1.0A@347V
MAXIMUM CURRENT:	3.2A@110V	1.3A@277V
INRUSH CURRENT:	≤ 40A	≤ 40A
POWER FACTOR:	≥ 0.98	≥ 0.98
DIMENSIONS:	430 X 294 X 181 MM 16.9 X 11.6 X 7.1 INCH	430 X 294 X 181 MM 16.9 X 11.6 X 7.1 INCH
WEIGHT:	6.5 KG / 14.3 LBS	6.5 KG / 14.3 LBS



H 181MM / 7.1"



L 430MM / 16.9"



W 294MM / 11.6"

ALSO AVAILABLE FROM  
**DUTCH LIGHTING INNOVATIONS:**

DIODE-SERIES  
**INTERLIGHTING FIXTURE**

DLM-4 ZONE DAILY  
**LIGHTING MANAGEMENT**

DLI JOULE-SERIES  
**1000W DE FIXTURE**